

# Sphero Maxi 62cm smart sensor e-hybrid

## ILLUSTRATED

**S0741** Sphero Maxi 62cm smart sensor e-hybrid, closed shroud

### OPTIONS

**E2067** Sphero solenoid valve extension cable (direct water feed)

**E2027** Anti-vandal bracket for use with Sphero maxi electronic urinal

**R0103** Prosys back inlet urinal frame (specific urinals only)

### ILLUSTRATED PRODUCT DETAILS

#### Weights

**S0741** 21.75 KG

#### Finishes

**S0741**  White (01)

#### Materials

**S0741** Vitreous China

#### Designer

Robin Levien, RDI

#### Standards

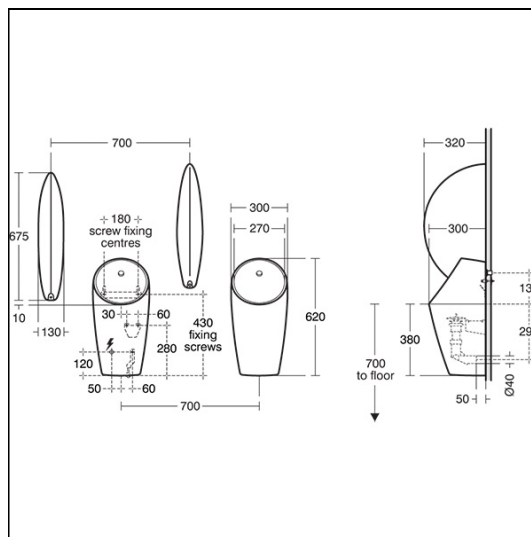
BS EN 13407

#### Special Notes

When installing the urinal through mains water with a DC interrupter, please refer to the installation instructions in relation to pipework size required and solenoid position, which must be adhered to.

Installation according to instructions using the template and seal provided. The waste can be accessed from the top with an easy to use service key.

Access to E-Module smart sensor power pack and pipework by using the easy maintenance hinged bracket. A DC interrupter should be considered for mains water supply (A solenoid extension kit is available to purchase seperately). Hangers, spreader pack with cap, back inlet connection pack, waste pack with service key, grate cap, power pack, solenoid pack and easy maintenance bracket all included. See instructions for changing mode settings on battery and details for spreader light warnings.



### FEATURES

