

# Sphero Midi 55cm back inlet

## ILLUSTRATED

- S0737** Sphero Midi 55cm back inlet, open shroud
- S8915** Trap 1½" plastic bottle with 75mm seal, multi-purpose outlet
- E2025** Sphero waste cap

## OPTIONS

- R0163** ProSys urinal frame for use with Sensorflow (specific urinals only)
- A7001** Sensorflow 21 urinal flush, high pressure valve, panel mounted, mains
- A7002** Sensorflow 21 urinal flush, high pressure valve, panel mounted, link
- A4856** Sensorflow 21 urinal flush, surface mounted, mains
- A4857** Sensorflow 21 urinal flush, surface mounted, link
- S9276** Toggle bolts to suit maximum 25mm panel thickness

## ILLUSTRATED PRODUCT DETAILS

### Weights

- S0737** 16.78 KG
- S8915** 0.24 KG
- E2025** 0.02 KG

### Materials

- S0737** Vitreous China
- S8915** Plastic
- E2025** Plastic

### Finishes

- S0737**  White (01)
- S8915**  Neutral / No Finish (67)
- E2025**  Neutral / No Finish (67)

### Designer

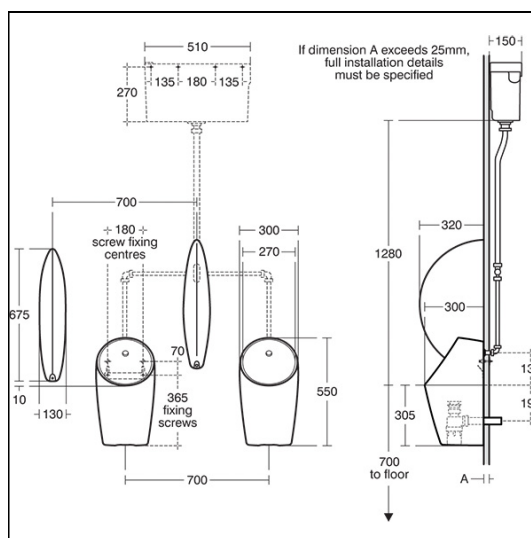
Robin Levien, RDI

### Standards

BS EN 13407

### Special Notes

When installing the urinal with Sensorflow electronics and mains water with a DC interrupter, please refer to the installation instructions in relation to the pipework size required, which must be adhered to. See options for the Sensorflow flushing device options. The waste can be accessed from the top with an easy to use service key. Brackets, spreader and cap, waste pack with service key and back inlet connection pack all included. (bottle trap to be purchased separately). Not currently recommended for use with auto cisterns.



## FEATURES

