

## Preparation of Site

1. Carefully remove all packaging and inspect bath thoroughly

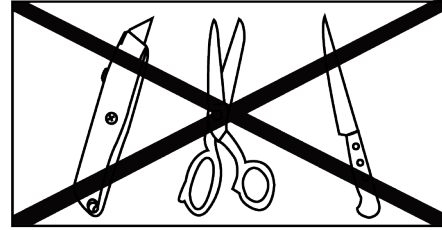


Fig 1.1

Do not use sharp knives or objects to remove packaging

- 2.

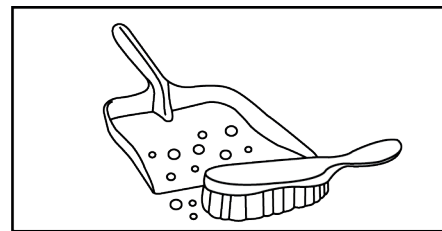


Fig 2.1

Clean and prepare room

- 3.

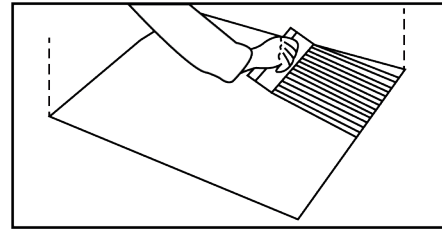


Fig 3.1

Prepare and level floor

## Bath Fitting

4. Remove the **transport board** but keep the **four slotted fixing brackets**

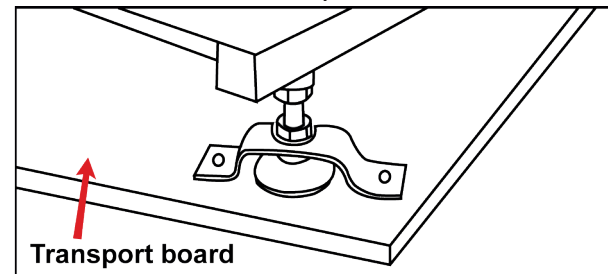


Fig 4.1

Transport board

Dispose of the **transport board**

5. Offer the front panel to the underside of the bath flange to determine the bath height (nominal **535mm** to flange).

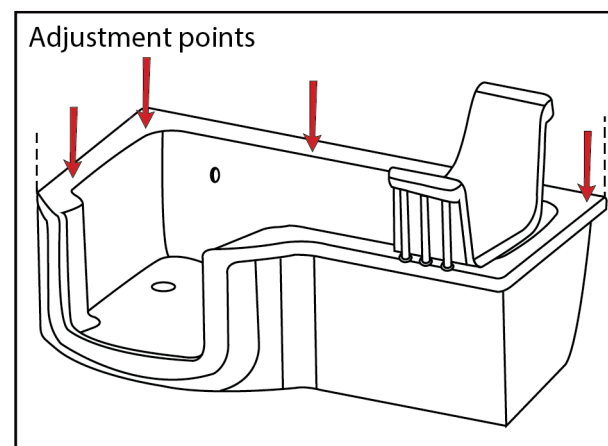


Fig 5.1

Check flanges slope inward towards bath.  
Modify adjustment bars where necessary.

To adjust the bars, loosen the lock nut using a 10mm socket and spanner. Place a spirit level at 45 degrees to the corner on top of the bath.

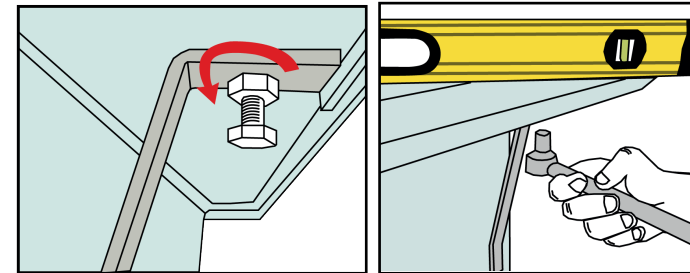


Fig 5.2

Fig 5.3

6. Tighten the adjusting nut until the flange slopes inward. Check with spirit level and tighten the lock nut. Level the bath using the four corner feet, shown in blue on figure 6.2.

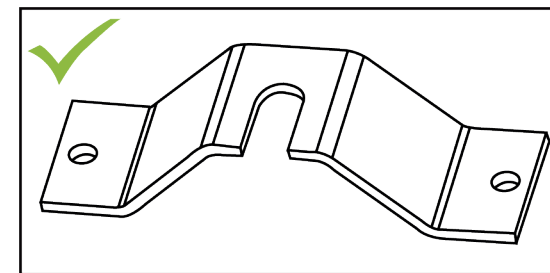


Fig 6.1

Place 2 **slotted foot brackets** into position around the rear feet with the slots facing out.

Remove the bath leaving brackets in place. Fix foot brackets firmly to the floor. Slide the bath back into position and lock the two feet into the foot brackets using the **upper nuts**. (Figure 6.3)

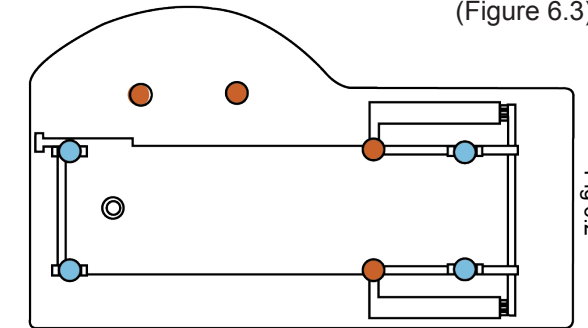


Fig 6.2

● = Positioning of **slotted foot brackets**  
● = **Support feet**

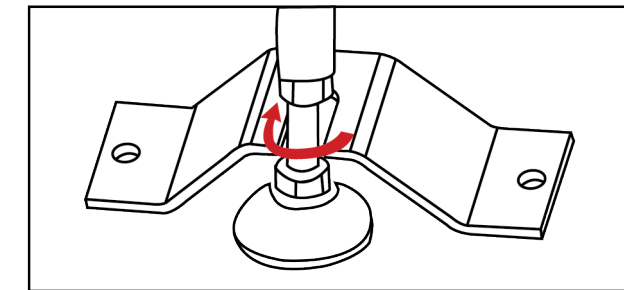


Fig 6.3

7. Offer up 2 foot brackets (figure 6.1) to the front feet and fix securely to the floor. Adjust and level the four support feet.

**Important— Check bath is level and ensure that the weight is evenly carried.**

## Plumbing

8. Fit waste and run plumbing and waste pipework into place. Connect waste and test and ensure that appropriate Water By-Laws are followed.

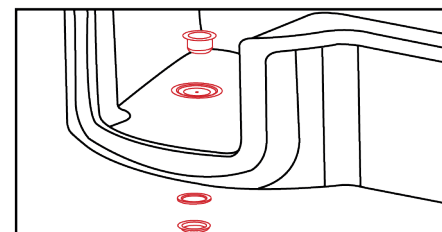


Fig 8.1

9. Run **plumbing feeds** as needed. There are **two** preferred positions for the taps. Identify the best position for the taps, mark and drill the bath as needed.

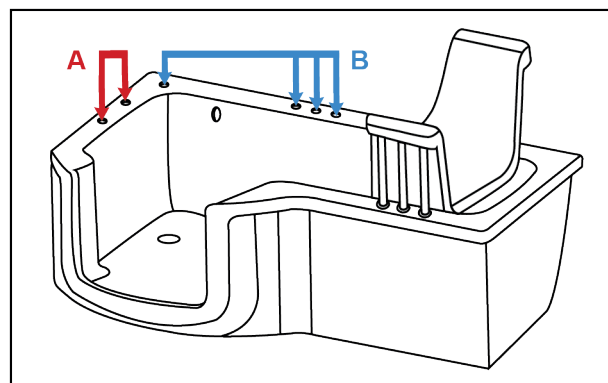


Fig 9.1

**Position A = For conventional taps**  
**Position B = For remote spout and valves**

10. Plumbing of the TMV thermostatic mixing valve (where supplied)

Take a 'Tee' off the cold supply before it goes into the thermostatic valve and run this to the cold tap. This allows the customer to draw cold water into the bath.

Thermostatic mixing valve

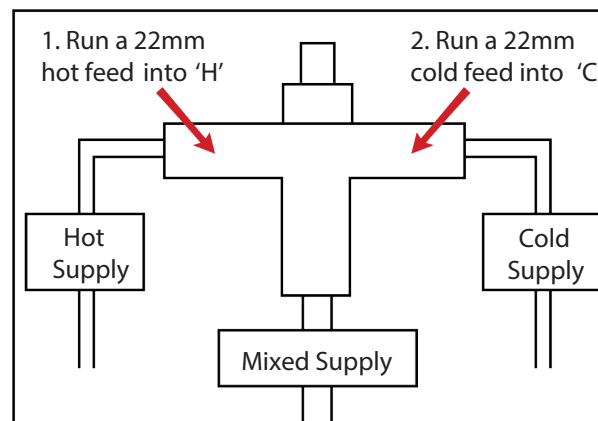


Fig 10.1

3. Take a feed from the 'M' mixed feed and run to hot tap. This means that when the customer opens the hot tap on the bath, 'mixed' water will run.

We recommend that the valve be set to its maximum temperature setting. This allows the customer to have a hot bath without scalding and allows them to cool the bath with cold water if required.

## Panels

11. If required, fit wood battens to the floor inside the intended panel position to prevent panel moving.

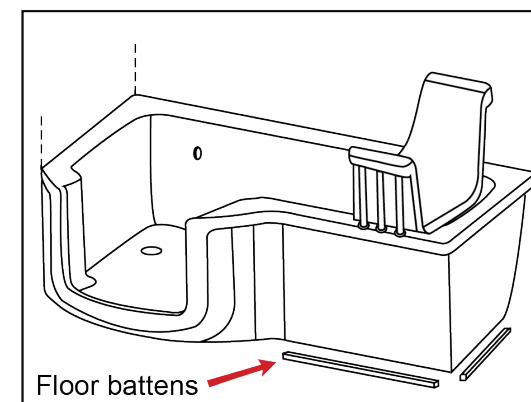


Fig 11.1

Offer the front panel to the bath starting at point A and moving towards the door aperture. You may need to twist the panel in order to fit around point B.

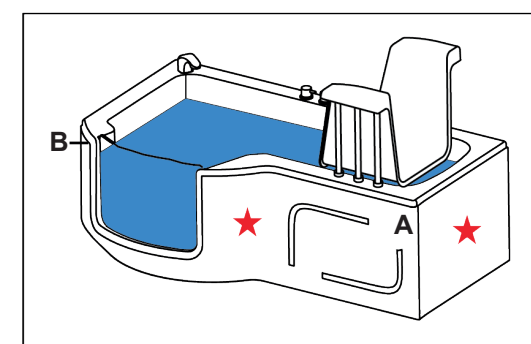


Fig 11.2

Push the panels in towards the bath until the panels are fully engaged. Adjust the clips as necessary to secure.

12. The bath should now be filled with water to the overflow.

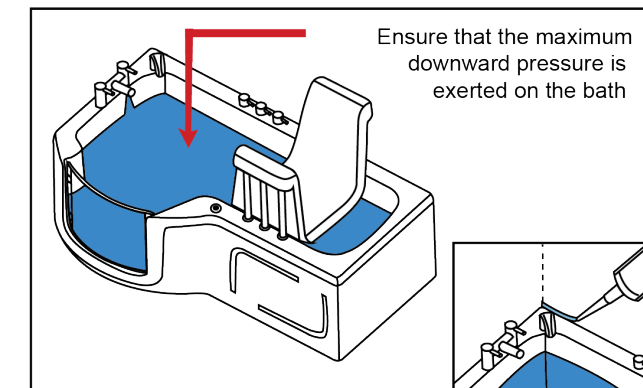


Fig 12.1

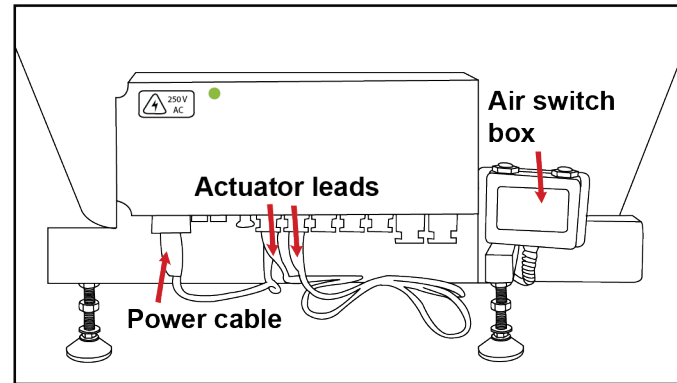
Apply silicone/caulk to ensure a water tight finish between wall and bath.

## Electrical Work

All electrical work must comply with NEC regulations and should only be carried out by a qualified electrician.

The electrical supply should be fed via the mains through an RCCD to a switched fused spur rated at 5 Amps where the **power cable** is hard-wired connected.

### Power control unit



Mains lead should be left long enough so that the control box can be removed for servicing.

### Testing

- Operate the **up and down buttons** for **seat movement**
- Ensure **green** power indicator light is **visible**
- Pack is low voltage and runs at **24v DC 5 Amp** supply

## Earth Bonding

**Earth bonding and cross bonding is mandatory for this appliance.**

This should be carried out by a qualified electrician and comply with current NEC regulations

### Water Supply

Local Water By-Laws must be followed at all times.

## P Bath Model PBX7 Installation guide

