

# Caversham Deep Soak Bath Installation Guide

---

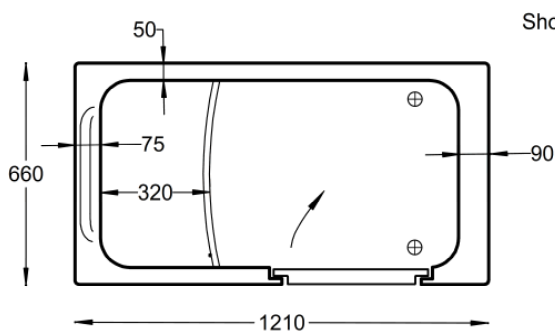
The Caversham is supplied with the following components:-  
Bath (LH or RH door opening) with Front Panel  
Twin Waste kit  
End Panel

## Other Items required with contract

Thermostatic Valve (TMV22 for high flow rate). **MUST BE INSTALLED IN ALL CASES**  
Bath shower mixer.  
Refer to commissioning & Installation Instructions.

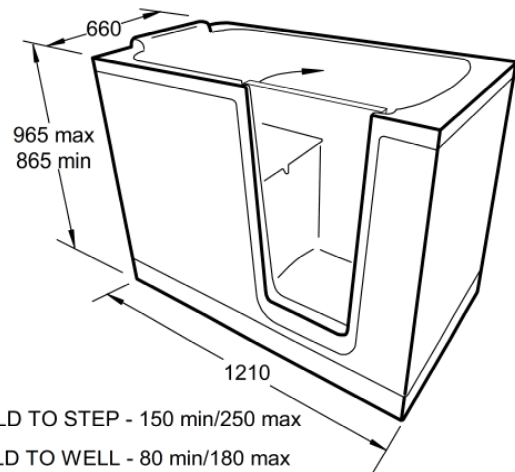
## Possible additional items:

Fast fill pump and flow switch for taps.



Dimensions in millimetre nominal

Shown as RH Door



THRESHOLD TO STEP - 150 min/250 max  
THRESHOLD TO WELL - 80 min/180 max

## IMPORTANT NOTES

The bath is supplied with 4 adjustable feet fitted & has a water capacity of 225 litres (unoccupied) which may require pump assisted taps with a flow rate of 17 litres/min minimum. Use only 22mm pipe leads to enhance flow rate. Bath is filled only when user has entered and shut door, consequently taps must be thermostatically controlled.

Installation is similar as for a standard bath except that twin wastes are supplied to increase drainage rate & to ensure the bath can be drained if one waste fails. The bath should be installed rigidly to ensure there will be no movement or sagging of the floor when bath is used.

Consideration should be given to lowering the wastes below the floor level to keep the step threshold to a minimum to assist customer's ability to step into the bath. Use only shallow waste traps.

If fitting in an alcove ensure the bath freely goes into position (as sideways pressure can distort the doorway).

The Caversham is manufactured in glass fibre. When handling, proceed with care and caution, in particular the bath edges are more brittle than in acrylic baths.

## **Standard Fitting Guide.**

- 1) **Manoeuvre bath into bathroom carefully.**
- 2) **Drill and affix Taps.**
- 3) **Fit wastes, overflow and waste traps supplied.**
- 4) **Place bath in position and adjust to minimum height.**

**Note: It is advisable to fix batten runs on to the floor under the bath feet to avoid extending the legs to far & to ensure feet sit squarely and flat. On a wooden floor batten runs (3" x 2" minimum) should be positioned squarely across the floor boards to spread & support the load.**

- 5) **Level bath in all planes using the four adjustable feet on the four outer corners only and lock the feet.**
- 6) **Mark wall fixings and plumbing runs.**
- 7) **Remove bath and run plumbing into position.**
- 8) **Re-position bath and fix to the floor using all the four bath feet.**
- 9) **Connect plumbing. The wastes may be run independently or joined by use of a tee, inserted after the in line traps. Refer to fitting guides for the Thermostatic valve and Pump if supplied.**
- 10) **Test plumbing for leaks and pump operation.**
- 11) **Fill bath to maximum and leave for about 30 minutes to test the door seal.**
- 12) **While the bath seal is being tested position and trim to size the front and side panels.**
- 13) **Mark bottom of panels onto floor base. Fix battens along floor behind panels.**
- 14) **Refit front and side panels. Drill through bottom into batten and top into bath wooden frame. Push fit panels onto the retaining clips pre-fitted on the bath. Do not use Silicone sealant as this prevents service access.**
- 15) **Silicone bath rims to walls as necessary.**
- 16) **Finally drain bath and Leave The Door Open when in use to prevent over compression and the wear out of the seal.**
- 17) **Instruct customer on the use of the bath.**

◆ **Refer to 'Operating/Care and Maintenance Instructions' and leave copy with customer.**

◆ **Do not leave door in locked position on completion. Advise customer that the door should be left unlocked when not in use in order to preserve the seal.**